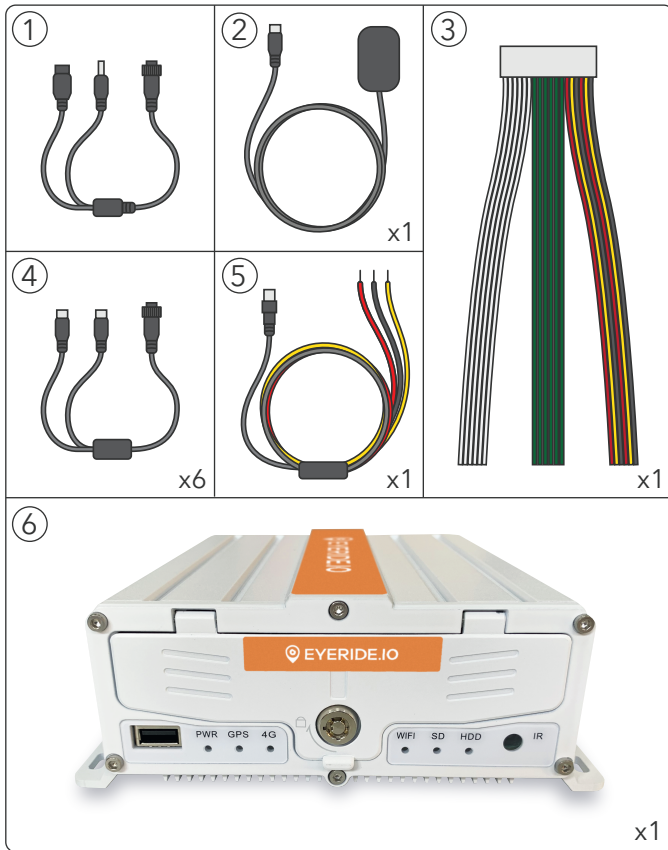
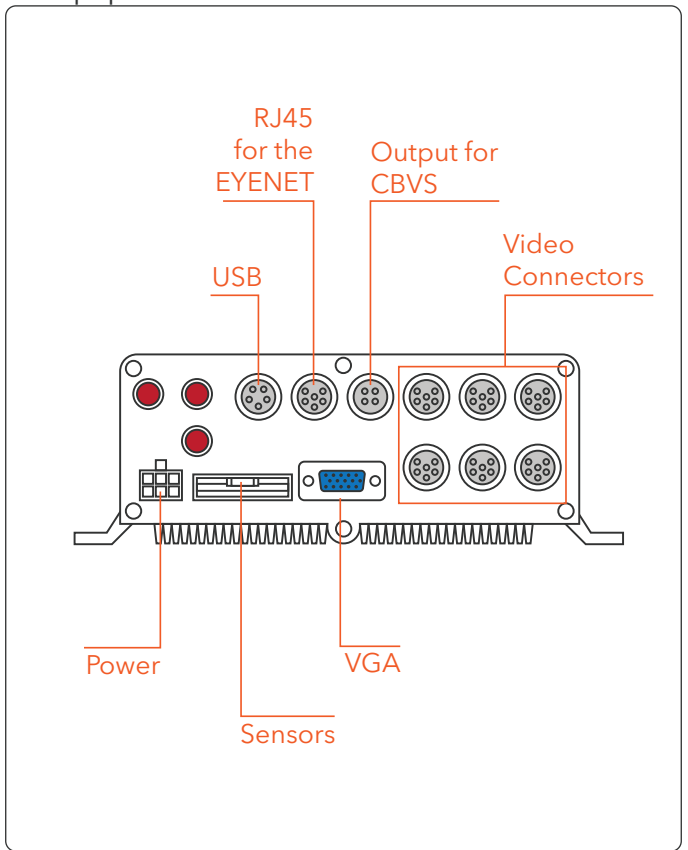


A. Parts Reference



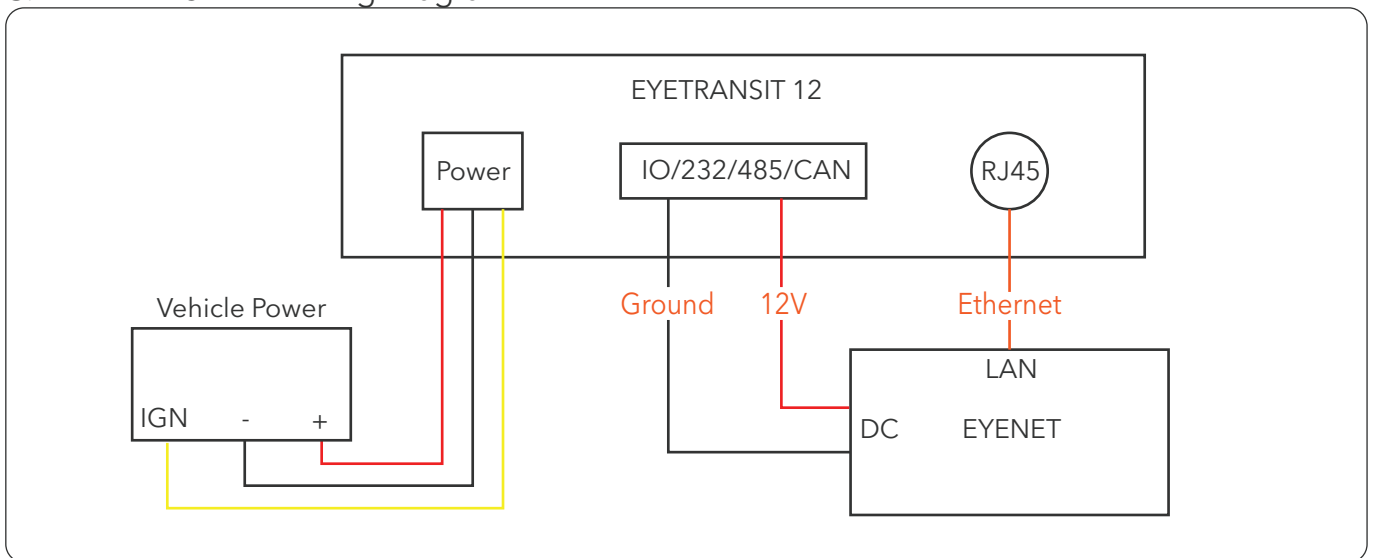
B. Equipment Guide



A. Parts Reference

- ① Internet cable
- ③ Sensor input wire
- ⑤ Power cable
- ② GPS Antenna
- ④ 7-pin connectors
- ⑥ EYETRANSIT

C. EYETRANSIT 12 Wiring Diagram



Please contact EYERIDE Tech Support with questions regarding installation:

1-833-EYERIDE
support@eyeride.io